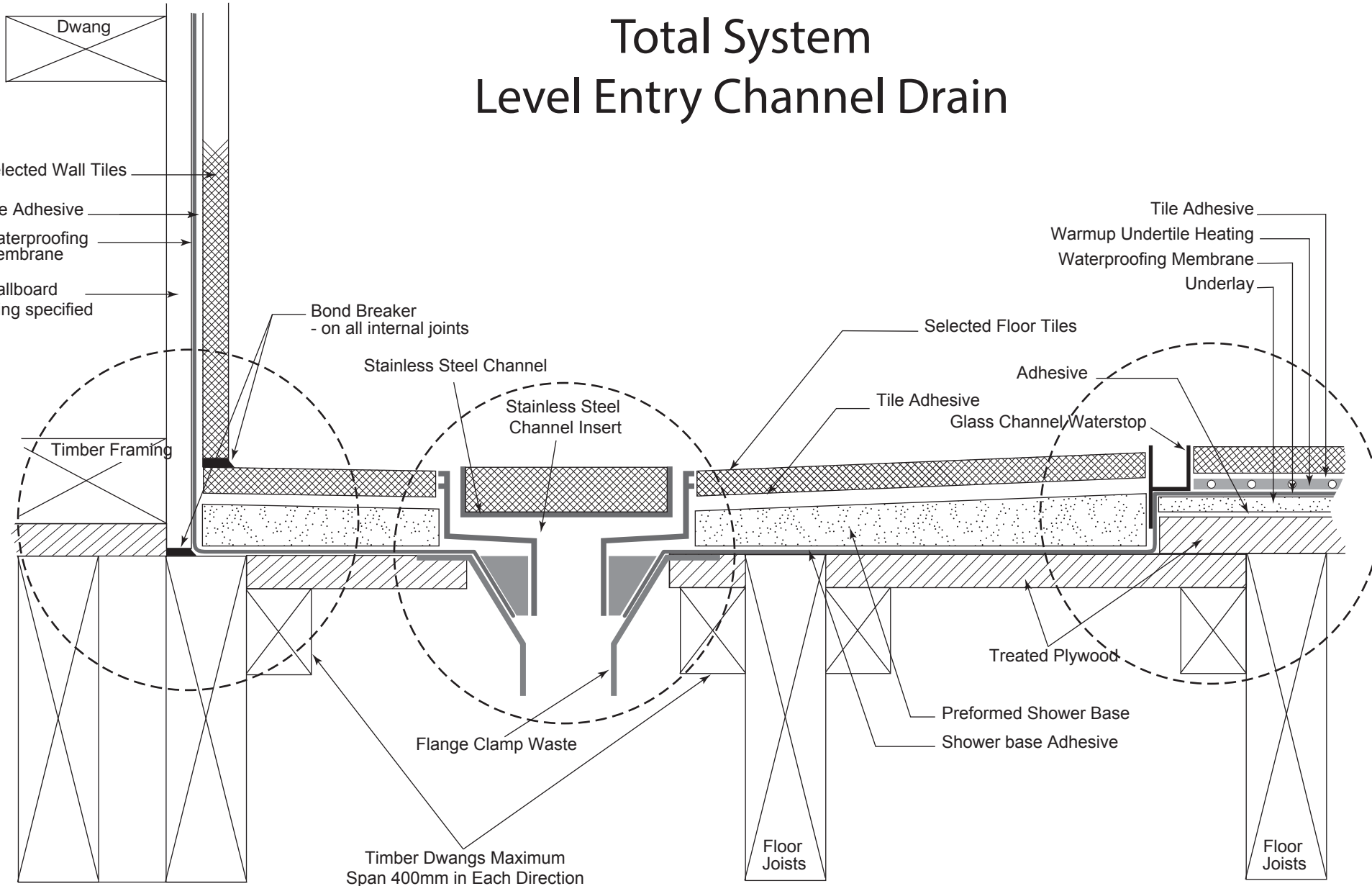


# Cross sections - Shower System

## Contents

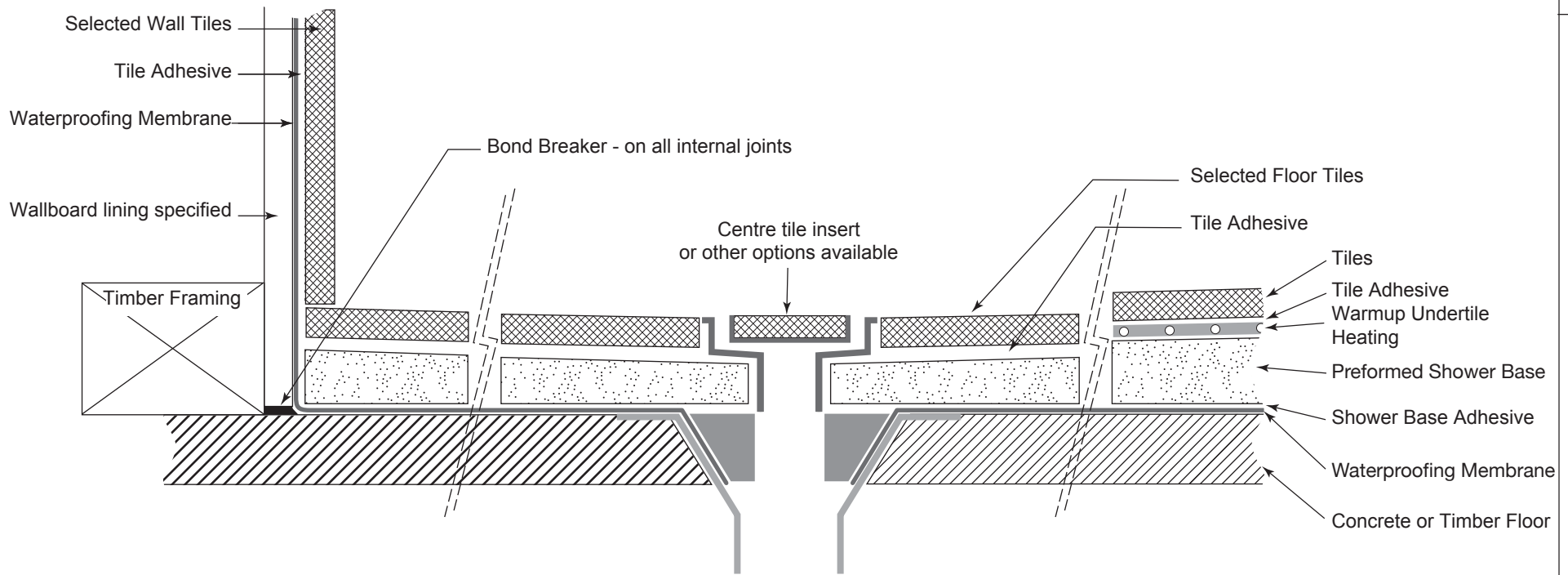
- Total System – Level Entry Channel Drain
- Centre Drain or Off Centre Drain [D09]
- Shower Upstand (Threshold) [D01]
- Channel Drain – Floor to Wall Junction [D05-2]
- Level Entry Shower Detail [D02]

# Total System Level Entry Channel Drain



Detail

Date: 30/09/2014



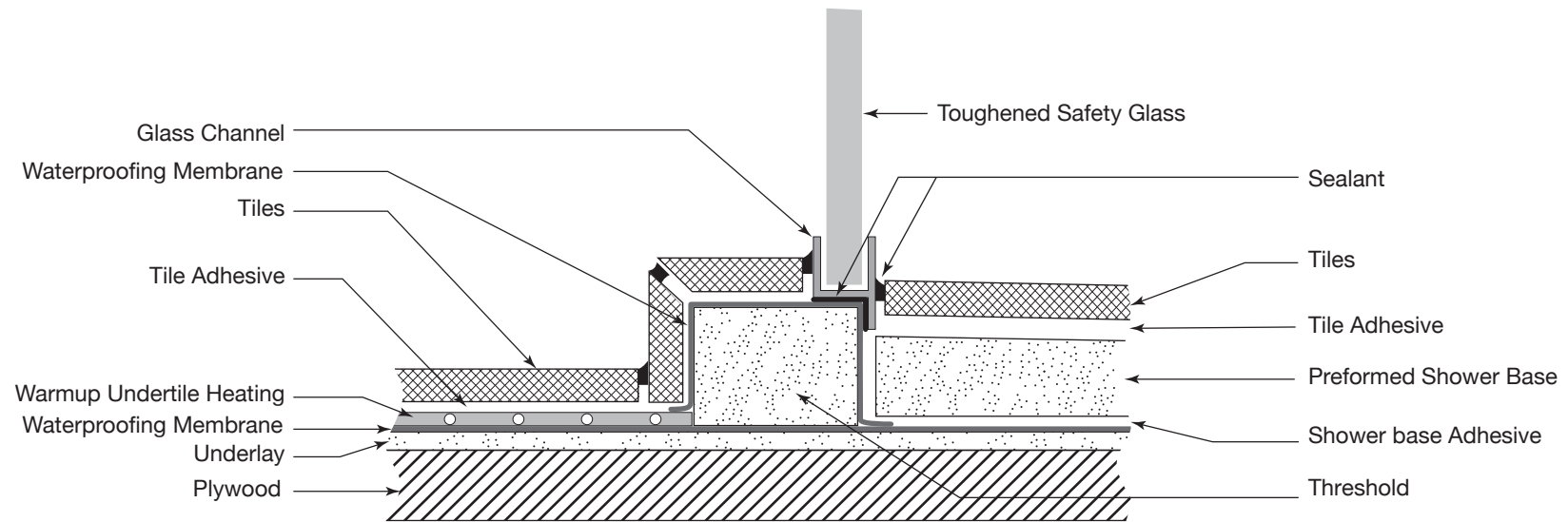
## Centre Drain or Off Centre Drain

1:2

Detail

D09

Date: 30/09/2014



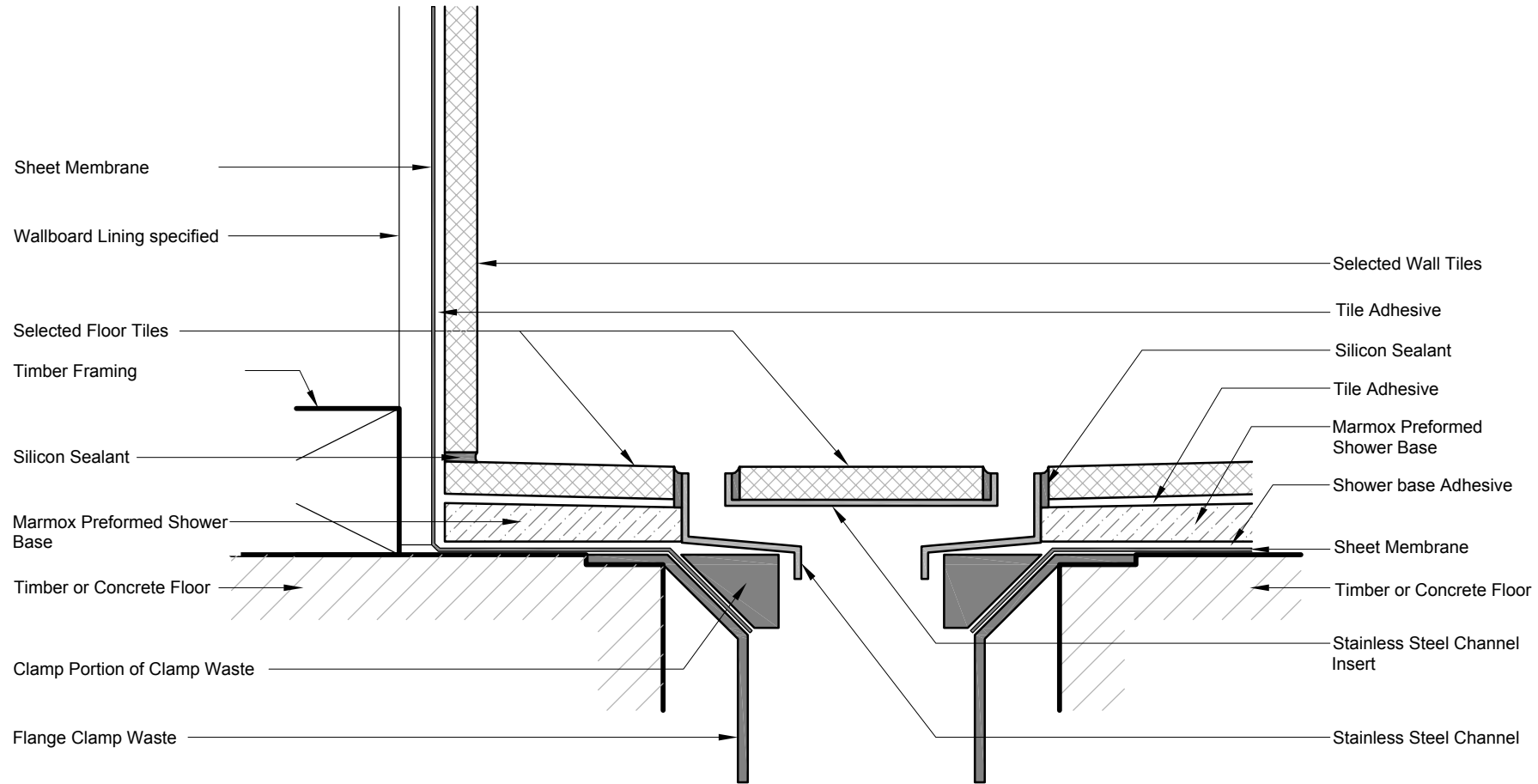
## Shower Upstand (Threshold)

1 : 2

Detail

D01

Date: 30/09/2014



1

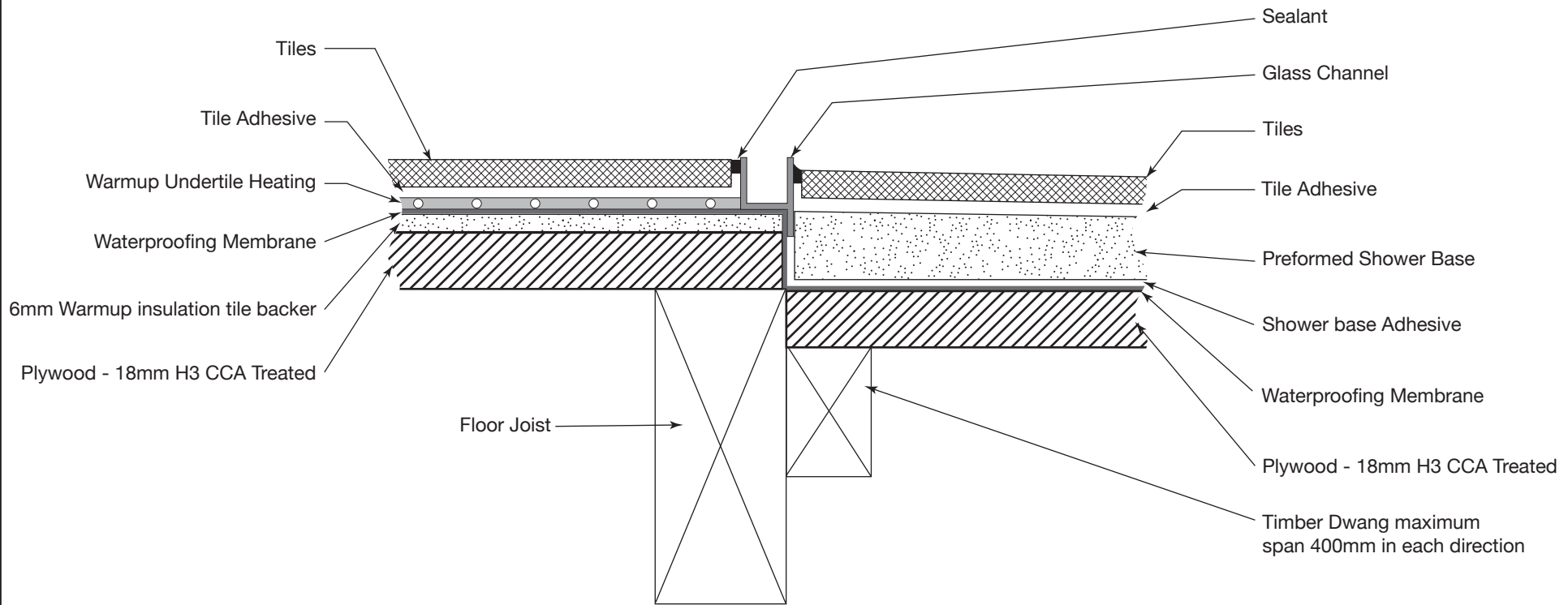
# Channel Drain - Floor to Wall Junction

SCALE 1:2 © A4

Detail

D 05 - 2

Date: 30/09/2014



# Level Entry Shower Detail

1 : 2