

WP-207-F - this electronic thermostat is mounted in a standard flush box. The thermostat is adjustable to the required temperature from +5/+40°C. The red LED shows that the heat is ON. This thermostat with a remote sensor is recommended for the control of floor heating systems and is designed to meet the standard requirements for comfort, safety and energy saving when using electric radiant floor heating.

Mounting of Floor Sensor

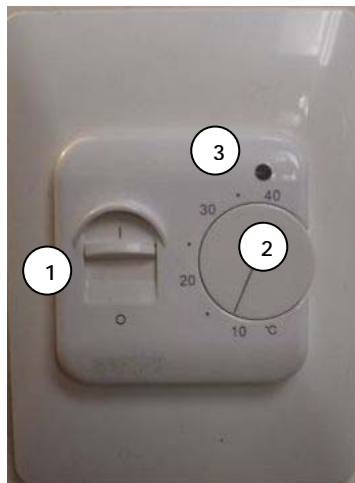
The floor sensor should be placed in between two runs of heating wire. Make sure it is centred so as to achieve the best accuracy. Make sure the position of this sensor is in an area of the floor that will not be covered over with any items that will cause a heat build up which could result in the overall floor temperature being affected i.e. washing baskets, rugs etc.

Placement of Thermostat and Floor Sensor

The thermostat is to be mounted on a wall so that it is easily accessible. The floor sensor should not be influenced by any other heating sources (i.e. the sun).

Operation Manual

1. **On/Off**
I - On O - Off
2. **Temperature setting**
5 ~ 40°C
3. **Indicator**
The light is red when heat is On



Temperature Setting

The thermostat has a scale range of +5/+40°C. To assist the adjustment, the thermostat has a LED which will glow RED when the heating is ON. The thermostat should be set to the maximum temperature setting until the desired temperature of the room or floor is achieved. The control knob should then be turned back until the LED goes out. Fine adjustments can be made over the next few days to suit individual requirements.

Max/Min Temperature Setting

A locking mechanism is positioned behind the control knob to limit the amount of adjustment possible. By loosening the little screw C the scale range can be locked i.e. between 20°C and 25°C. The red ring indicates the maximum temperature and the green ring indicates the minimum temperature.

Technical data

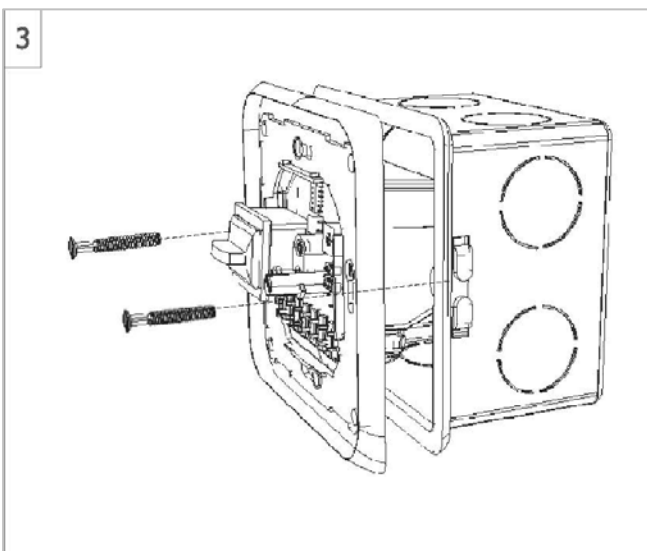
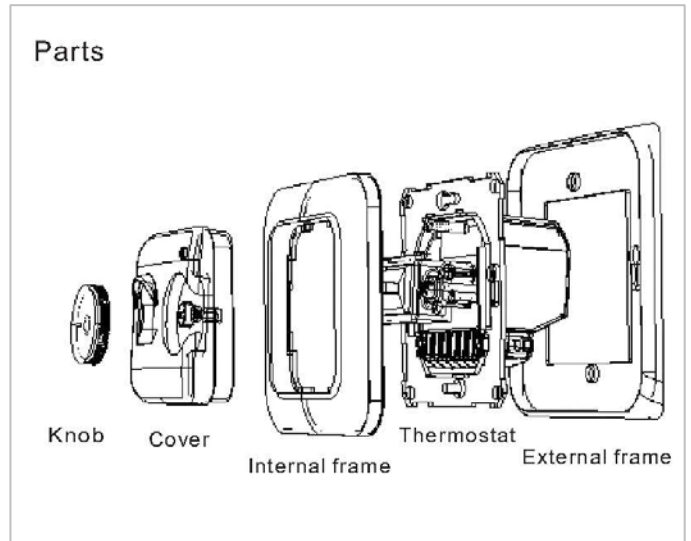
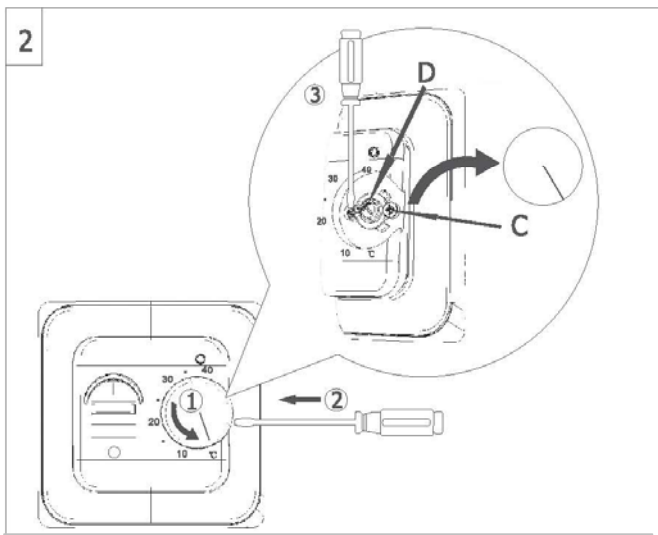
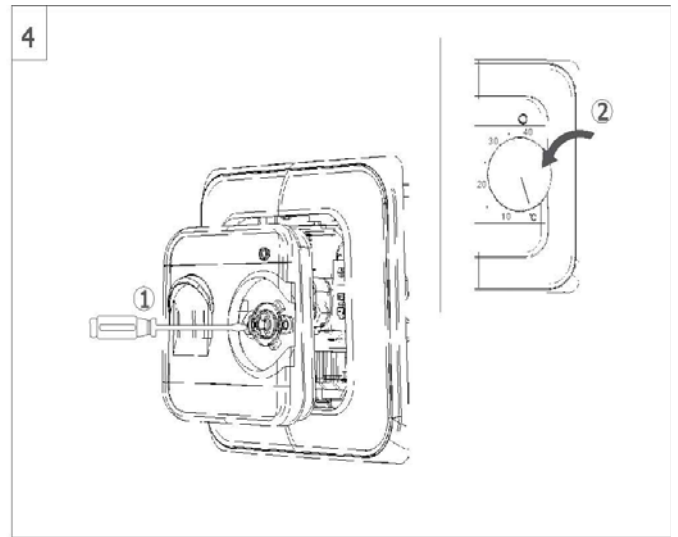
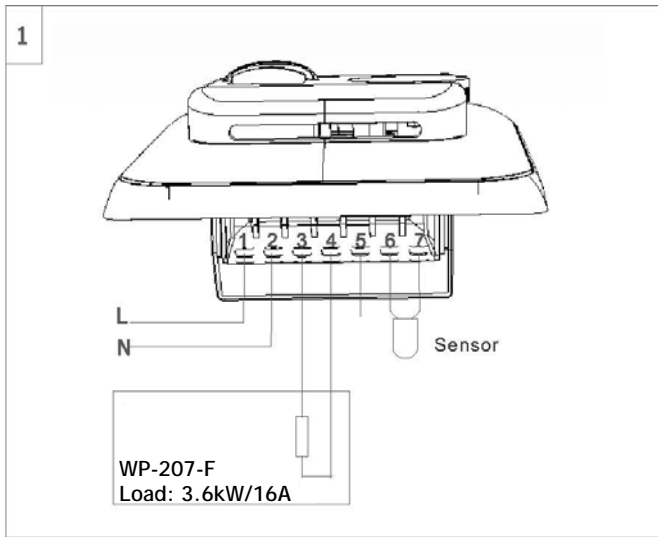
Max Load: 3.6kW/16A
 Voltage: 230-240V AC
 Setting range: 5 - 40°C
 Setback temperature: 5°C
 Switching differential: ±0.5K
 Temperature: -5 -50°C
 Protective housing: IP20
 Floor sensor: cable length is 3m rubber-thermoplastic
 Housing material: anti-flammable PC

Designed, tested and approved to Australian and New Zealand standards
 AS/NZS 3100:2002
 AS/NZS 3133:2003

Parkside Laboratories Test Report No. 13188-00 dated 1st November 2007.



Mounting Steps



Designed, tested and approved to Australian and New Zealand standards
AS/NZS 3100:2002
AS/NZS 3133:2003

Parkside Laboratories Test Report No. 13188-00 dated 1st November 2007.

