

warmup® TH113 & TH116 A/F/AF

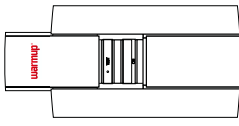
Owner's Guide

Thank you for choosing WARMUP's non-programmable thermostat. Your new electronic thermostat is equipped with a microprocessor and proportional integral adaptive (PIA) temperature control technology for total comfort. Depending on the selected model, this thermostat has been designed to control:

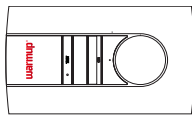
- A:** The Ambient temperature (using an electric heating system)
- AF:** The Ambient temperature with Floor temperature limit (using a floor heating system to heat the room)
- F:** The Floor temperature (floor heating)

NOTE: This faceplate must be mounted on a PB112 Series power base.

The thermostat has an On/Standby switch which places the thermostat in sleep mode when it is not being used (e.g. summer).



TH116
Public Area

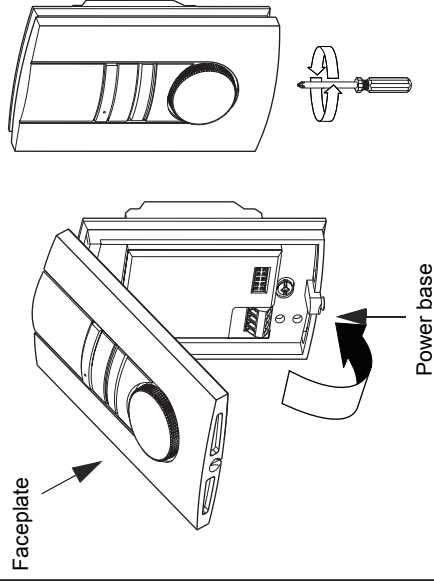


TH113

4 Control Module Installation

Align the bracket tabs on the faceplate with the holes located on the power base.

Follow the same procedure for the TH116.



NOTE: Keep the thermostat's air vents clean and free from obstructions.

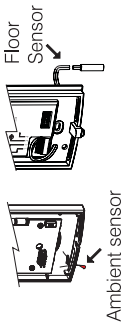
NOTE: The screw cannot be removed completely.

1 Model Selection (switch)

FOR A AND AF MODELS ONLY

At the rear of the faceplate is a switch that has been factory-set to the applicable temperature control.

NOTE: The AF model can be used for all temperature control types (A, F and AF).



Note: The ambient sensor is not operational when the switch is set to I (up).

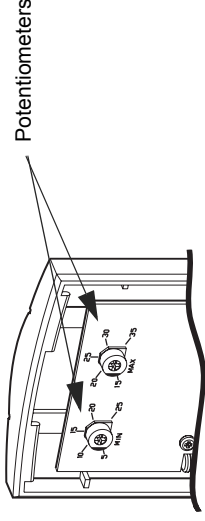
Model	Floor sensor	Switch S3	Ambient sensor
F			
AF			
A			

2 Temperature Limits (TH113 & TH116-AF only)

Two potentiometers are hidden at the rear of the control module. They are used for the following:

A model: Maintains the ambient temperature within the desired range. If the ambient temperature drops below the minimum setting or rises above the maximum setting, the thermostat will activate or deactivate heating respectively regardless of the dial setting.

F and AF models: Maintains the floor temperature within the desired range. If the floor temperature drops below the minimum setting or rises above the maximum setting, the thermostat will activate or deactivate heating respectively regardless of the dial setting. Use a flat tip screwdriver to rotate the potentiometers until the notch points to the desired temperature.



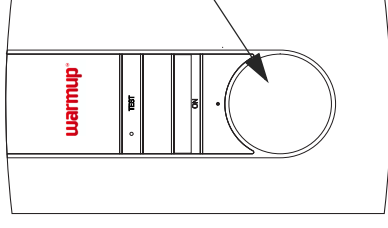
3 Setpoint Definition

Turn the dial to the desired temperature.

TH113: The dial is located on the front of the control module.

TH116: The dial is located on the rear of the control module.

The min. position indicates the minimum temperature setpoint: 7°C.



TH113

TH116

Technical Specifications

Models: TH113 and TH116 A / AF / F

Setting range: 7°C, 15°C to 35°C

Potentiometers: minimum: 5°C to 25°C

maximum: 15°C to 35°C

Accuracy: ± 0.5°C

Storage: -20°C to 50°C

Warranty

**WARMUP HEATING SYSTEMS NZ LTD
THREE (3) YEAR WARRANTY**

This product is warranted against defects in material and workmanship under normal conditions of use for a period of three years from the date of purchase. During this period, WARMUP will repair or replace the product, if it is defective in normal operating conditions in terms of materials or workmanship, with a new product of equivalent quality at WARMUP's option.

The warranty does not cover costs of transportation, removal, installation or damage caused by misuse or accident. In no event will WARMUP be liable for consequential loss resulting from the installation of the product. Any defective product should be sent with the original invoice to the original installer, or shipped prepaid, insured and sent to the following address:

WARMUP Heating Systems NZ Ltd
Copsey Business Park
20 Copsey Place,
Avondale, Auckland.

If you have any questions concerning the installation or programming of this product, call our technical support team on:

Phone: 09 820-4001 or 0800 WARMUP (927-687)
Fax: 09 820-7090
Email: info@warmup.co.nz

For more information on our products, visit us at www.warmup.co.nz