

- Use this switch to put the thermostat in Standby mode when not used (e.g. summer). The settings will not be affected.
- The display illuminates for 5 seconds when the backlight button or either of the **▲▼** buttons is pressed.

3 Power-up procedure

- Apply power using the On/Standby switch.
- Set the time using the Hour and Min buttons.
- Set the day using the Day button.

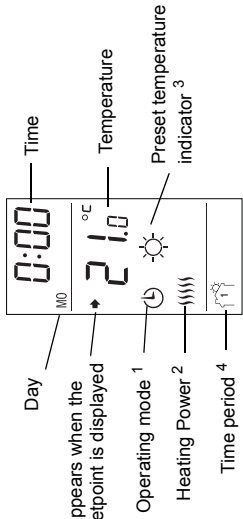
For F and AF models only: The following messages can be displayed:

- LO:** The floor temperature is below 0 °C, or the temperature sensor is defective or not connected. Heating is activated.
- HI:** The floor temperature is above 60 °C, or the temperature sensor is defective.

Models

- A** Controls the ambient temperature
- F** Controls the floor temperature
- AF** Controls the ambient temperature while limiting the floor temperature (to prevent floor damage)

Display



- ☺ appears when the thermostat is in automatic mode.
 - ☾ appears when the thermostat is in manual mode.
 - ☐ appears when the thermostat is in vacation mode.
 - The heating power required to maintain the set temperature is displayed.
- | | | | | | | |
|------------|----------|-----------|-----------|-----------|------|------|
| Display | ☺ | ☾ | ☐ | | | |
| Duty cycle | 1 to 24% | 25 to 49% | 50 to 74% | 75 to 99% | 100% | 100% |
- ☼ appears when the thermostat is set at the comfort temperature.
 - ☾ appears when the thermostat is set at the economy temperature.
 - ☐ appears when the thermostat is set at vacation temperature.
 - Time periods appear only when the thermostat is in automatic mode.

4 RCD Test (for 240GB power base only)

This procedure applies only to thermostats equipped with RCD.

WARNING: It is recommended to test the RCD immediately after installing the faceplate, and once a month thereafter to ensure that it is operating properly.

To test:

- Increase the temperature **▲** until the heating power **||||||** is displayed.
- Press TEST:
 - Successful:** the TEST warning light is ON and power to heating system is cut off. Reset the thermostat by switching it to Standby and back to On.
 - Unsuccessful:** the TEST warning light is OFF. Cut power to heating system from the main power panel and call customer service.

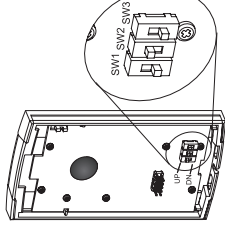
WARNING: If the test warning light comes ON during normal operation, cut power to heating system from the main power panel and have an electrician verify the installation.

1 Configuration Switches

NOTE: Factory settings are shown in gray.

#	Function	UP	DN
SW1	Temperature format ^a	°F	°C
SW2	Early Start ^b	Disable	Enable
SW3	Time format	12-hour	24-hour

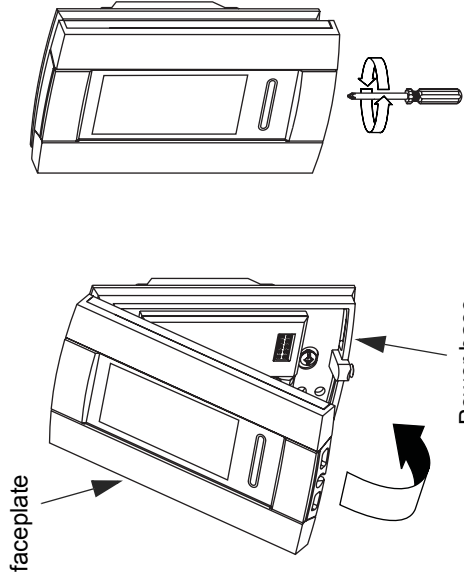
- If you change the temperature display format, the preset buttons (☼ and ☐) will return to their default settings.
- Early Start works in Automatic mode only. When this feature is enabled, the thermostat calculates the optimal start time for heating in order to obtain the desired temperature by the set time. Heating can start as early as 6 hours prior to set time. The thermostat re-assesses the optimal start time daily based on the previous day's performance.



The switches are located on the rear of the faceplate.

2 Faceplate Installation

Insert the bracket tabs on the faceplate into the slots located on top of the power base.



NOTE: Keep the thermostat's air vents clean and free from obstructions.

NOTE: The screw cannot be completely removed.

6 Floor temperature limit (AF model only)

The default maximum floor temperature limit is 28 °C. To modify this limit:

- Press **☼** and hold while switching from On to Standby and back to On.
- Set the desired limit using the **▲▼** buttons.
- Press Mode/Ret to exit.

NOTE: To avoid damaging your floor, follow the supplier's recommendations for maximum floor heating temperature.

5 Temperature Setting

The thermostat normally displays the measured temperature. To view the setpoint, briefly press one of the **▲▼** buttons. The setpoint will appear for the next 5 seconds.

To set the temperature, press one of the **▲▼** buttons until the temperature is displayed.

7 Preset temperatures

The thermostat has 3 preset temperature buttons:

- ▶ Comfort temperature button ☼
- ▶ Economy temperature button ☾
- ▶ Vacation temperature button ☰

To set the thermostat at one of the preset temperatures, press the appropriate button. The corresponding icon (☼, ☾ or ☰) will be displayed.

Icon	Description	Default settings	
		A / AF	F
☼	Comfort (when at home and awake)	21°C	28°C
☾	Economy (when asleep or away from home)	17°C	20°C
☰	Vacation (during prolonged absence)	10°C	10°C

To store a preset temperature:

- 1 Set the desired temperature using the ▲▼ buttons.
- 2 Press and hold the appropriate preset button until the corresponding icon is displayed.
- 3 Press Mode/Ret to exit.

8 Operating Modes

The thermostat has 3 operating modes.

☼ **Manual** - The thermostat is set at a fixed setpoint. To use this mode, press Mode/Ret until ☼ is displayed and set the desired temperature.

☾ **Automatic** - The thermostat is set according to the energy-saving schedule. To use this mode, press Mode/Ret until ☾ is displayed. The thermostat is set at temperature programmed for the current time period.

☼ **Temporary Bypass:** If you press ▲▼, ☼ or ☾ when the thermostat is in automatic mode, the temperature setting of the current time period is bypassed until the next time period starts.

☰ **Vacation** - The thermostat is set at the Vacation temperature. To use this mode, press ☰.

9 Energy-saving Schedule

The schedule has 4 time periods per day. Time periods 1 and 3 use the Comfort temperature (☼) and time periods 2 and 4 use the Economy temperature (☾). You can have a different program for each day of the week.

The schedule has been factory-set as follows:

Time period	Temp. setting	MO	TU	WE	TH	FR	SA	SU
☼	☼	6:00	6:00	6:00	6:00	6:00	6:00	6:00
☾	☾	8:00	8:00	8:00	8:00	8:00	---	---
☼	☼	18:00	18:00	18:00	18:00	18:00	---	---
☾	☾	22:00	22:00	22:00	22:00	22:00	22:00	22:00

10 Schedule Modifications

To modify the schedule:

- 1 Press Pgm to access the programming mode
- 2 Press Day to select the day to program (hold for 3 seconds to select the entire week).
- 3 Press Hour and Min to set the start time or press Clear if you want the thermostat to bypass the time period (--- is displayed).
- 4 Press Pgm to select another time period or press Day to select another day. Then repeat step 3.
- 5 Press Mode/Ret to exit the programming mode.

NOTE: If no button is pressed for 60 seconds, the thermostat will automatically exit the programming mode.

Use the grid below to record the new schedule.

Time period	Temp. setting	MO	TU	WE	TH	FR	SA	SU
☼	☼							
☾	☾							
☼	☼							
☾	☾							

10 Schedule Modifications

To modify the schedule:

- 1 Press Pgm to access the programming mode
- 2 Press Day to select the day to program (hold for 3 seconds to select the entire week).
- 3 Press Hour and Min to set the start time or press Clear if you want the thermostat to bypass the time period (--- is displayed).
- 4 Press Pgm to select another time period or press Day to select another day. Then repeat step 3.
- 5 Press Mode/Ret to exit the programming mode.

NOTE: If no button is pressed for 60 seconds, the thermostat will automatically exit the programming mode.

Use the grid below to record the new schedule.

Time period	Temp. setting	MO	TU	WE	TH	FR	SA	SU
☼	☼							
☾	☾							
☼	☼							
☾	☾							

Power Failure

During a power failure, most settings are saved. Only the time must be re-entered if the power failure lasts more than two hours. The thermostat will return to the operating mode that was active prior to the power failure.

Technical Specifications

Display range: 0°C to 60°C

Setpoint range: 5°C to 30°C

Floor limit range (AF model only): 5°C to 40°C

Accuracy: ± 0.5°C

Storage: -20°C to 50°C

Warranty

WARMUP HEATING SYSTEMS NZ LTD THREE (3) YEAR WARRANTY

This product is warranted against defects in material and workmanship under normal conditions of use for a period of three years from the date of purchase. During this period, WARMUP will repair or replace the product, if it is defective in normal operating conditions in terms of materials or workmanship, with a new product of equivalent quality at WARMUP's option.

The warranty does not cover costs of transportation, removal, installation or damage caused by misuse or accident. In no event will WARMUP be liable for consequential loss resulting from the installation of the product. Any defective product should be sent with the original invoice to the original installer, or shipped prepaid, insured and sent to the following address:

WARMUP Heating Systems NZ Ltd

Copsey Business Park
20 Copsey Place,
Avondale, Auckland.

If you have any questions concerning the installation or programming of the TH115 programmable thermostat, call our technical support team on:

Phone: 09 820-4001 or 0800 WARMUP (927-687)

Fax: 09 820-7090

Email: info@warmup.co.nz

For more information on our products, visit us at:

www.warmup.co.nz