

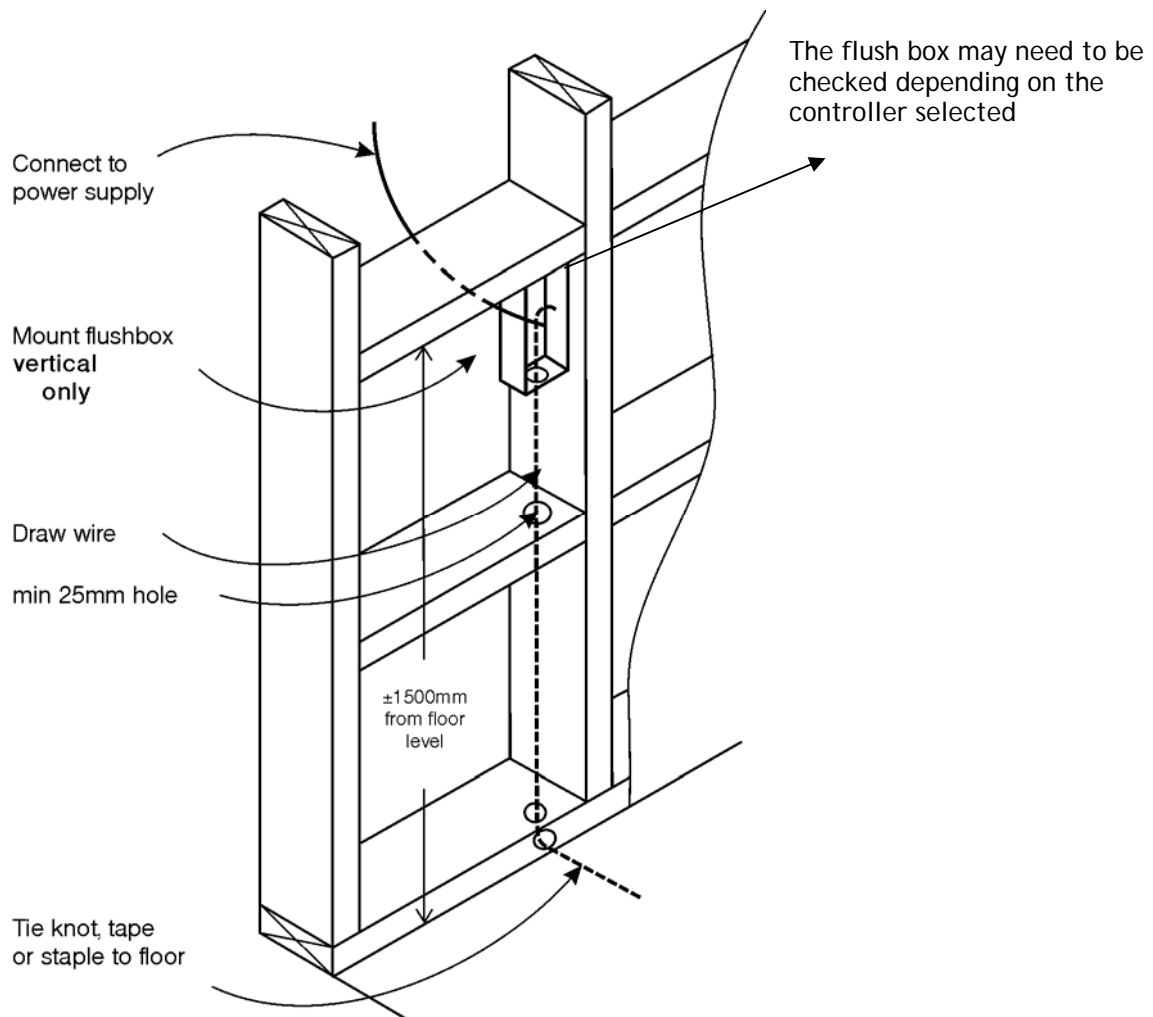
**WARNING**

# Electrical Requirements

Please pass onto your Electrician

## Cross section for pre-wire requirements of undertile and undercarpet heating systems

The heating elements must be protected by an RCD with a rated residual operating current not exceeding 30mA.



### Notes:

1. All our controllers are designed to fit Vertical flush boxes. The flush box should be installed within the room that is to be heated and accessible - typically adjacent to a light switch.
2. Height off the floor for flush boxes can vary with controllers.
3. The use of 2.5mm TPS as a draw wire is preferred. Ensure that it has a clear passage from floor to flush box.
4. Kindly contact us on 0800 WARMUP (927-687) for any queries on pre-wire connections.